



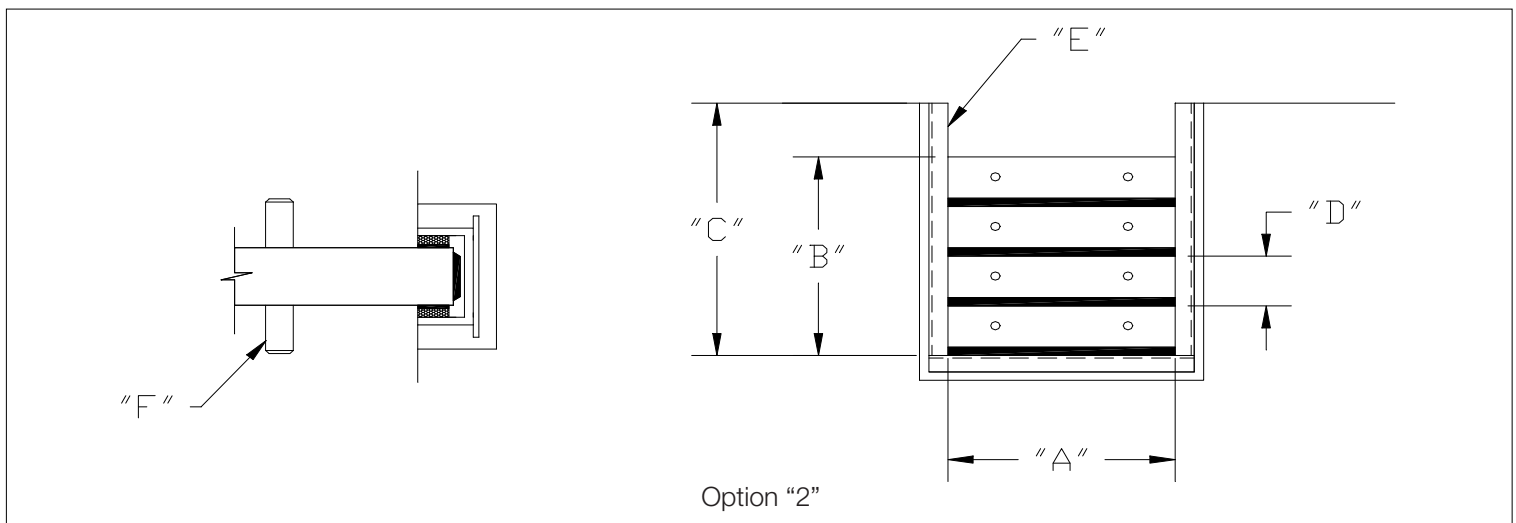
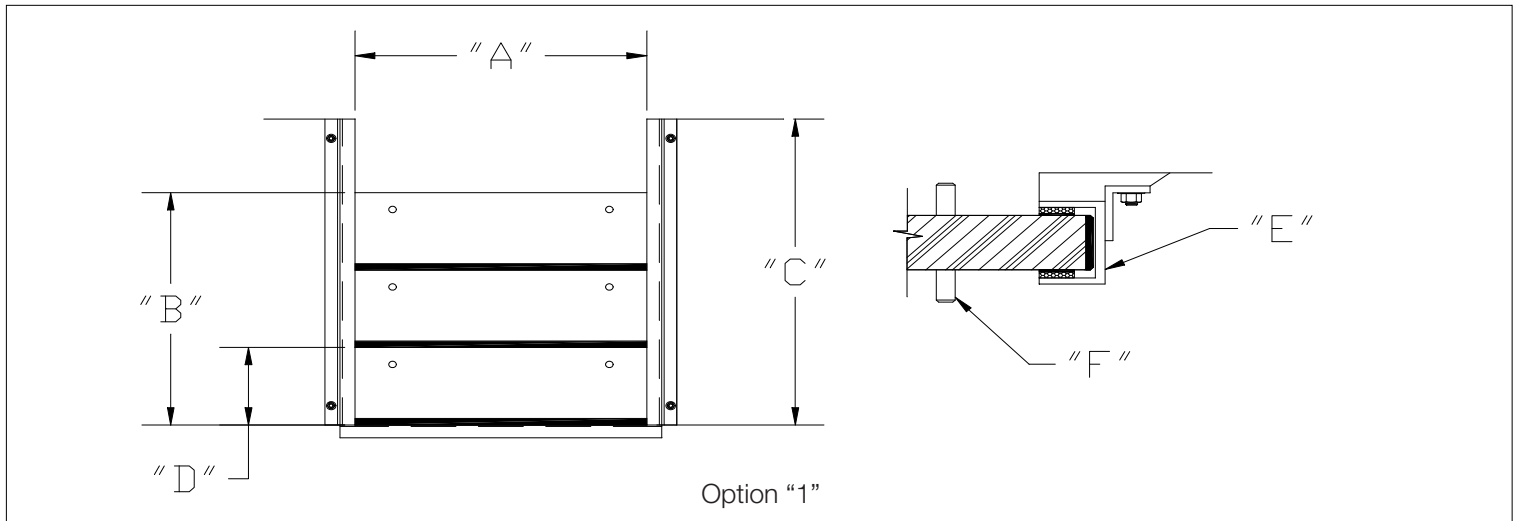
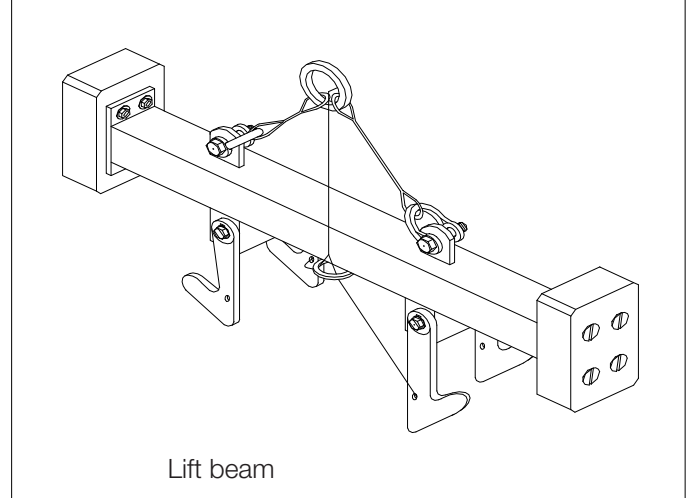
AS-H Coplastix® Stop Logs - Questionnaire for pricing

Job name:

Engineer:

Bid date:

Item	Description	Fill in here
A	Width of opening	
B	Total height of stoplogs	
C	Invert to t.O.C.	
D	Height of one log	
E	Frame material (coated c. S., 304Ss, 316ss)	
F	Type of lifting (pins or eyebolts)	
	Option	
	Lift beam (yes or no)	
	Quantity of frames / sets of logs	



Comments:

Remember: these are typical arrangements to aide in costing a job. By no means is this the only range we offer, all designs are customer specific.
060199 Cxsg data sheet