



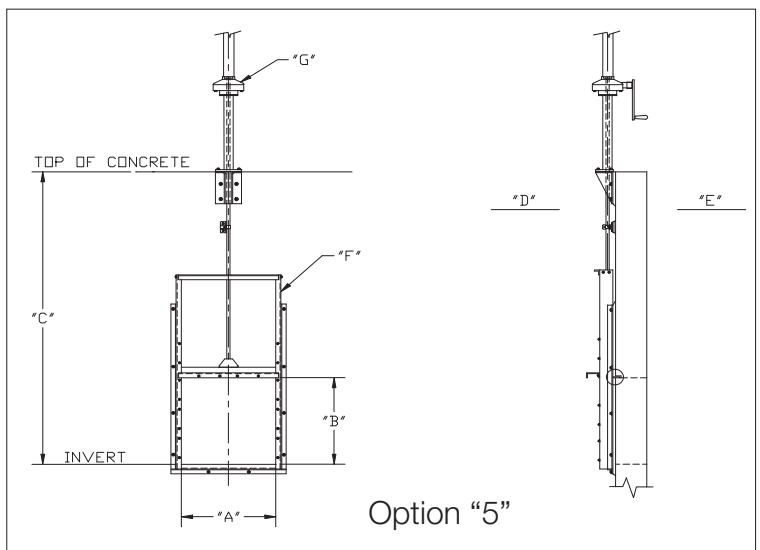
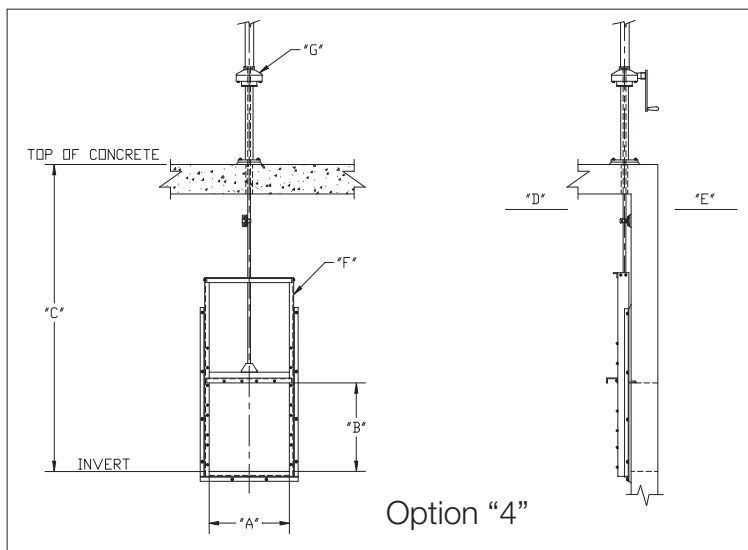
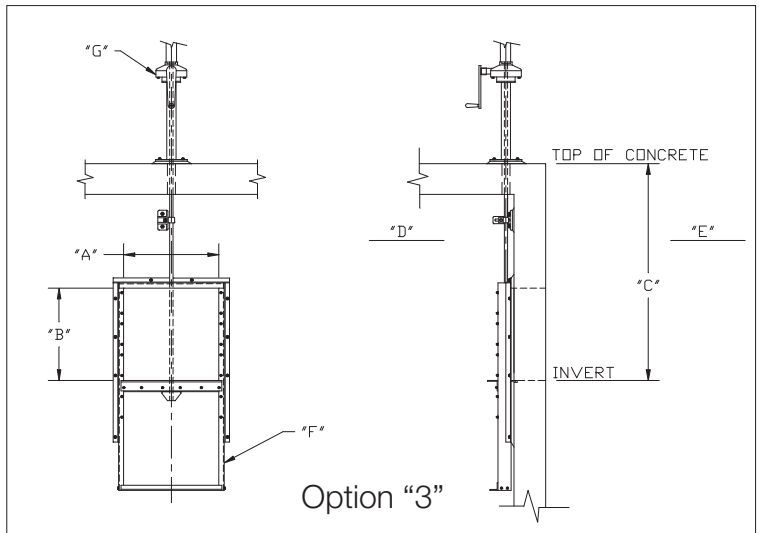
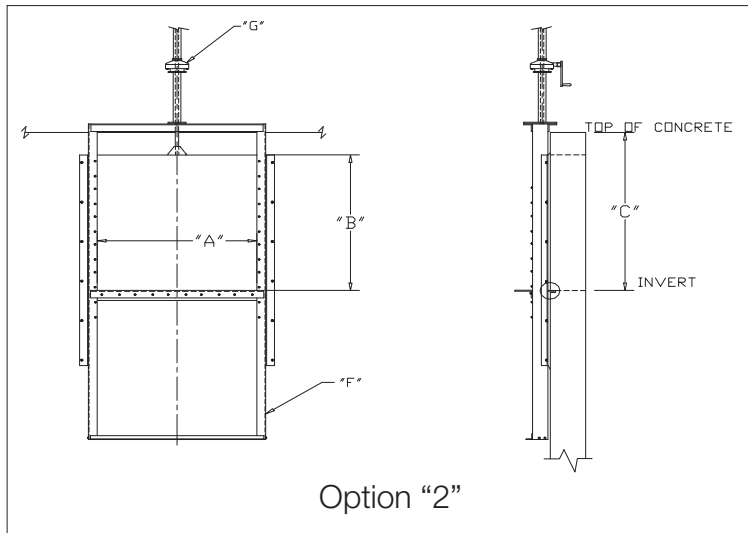
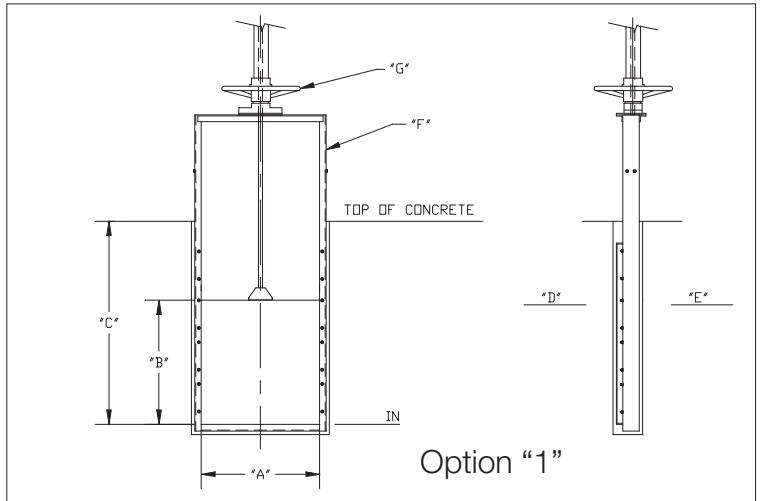
# AS-H Coplastix® Slide Gate - Questionnaire for pricing

Job name:

Engineer:

Bid date:

Item	Description	Fill in here
A	Width of opening	
B	Height of opening	
C	Invert to t.O.C.	
D	On seating head (column of water)	
E	Off seating head (column of water)	
F	Frame material (coated c. S, 316lss)	
G	Operator (hand wheel, gearbox, other)	
<b>Option</b>		



Comments:

Remember: these are typical arrangements to aide in costing a job. By no means is this the only range we offer, all designs are customer specific.  
060199 Cxsg data sheet